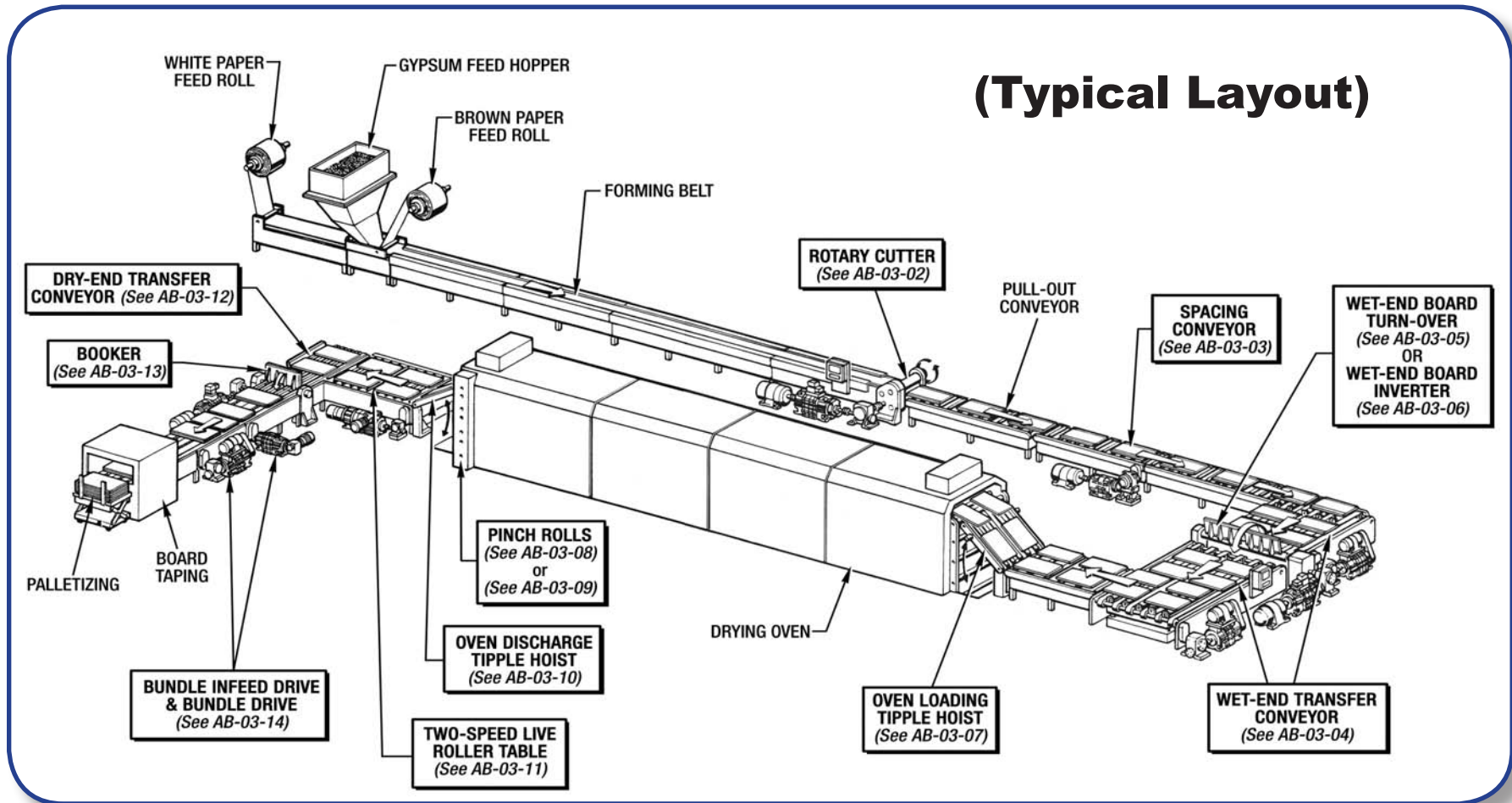


AB-03-01 - 1/11/2005

APPLICATION BULLETIN

GYPSUM BOARD/DRYWALL PLANT

(Typical Layout)



FORCE CONTROL INDUSTRIES, INC.

3660 Dixie Highway Fairfield, Ohio 45014
Phone: 513-868-0900 Fax: 513-868-2105
E-Mail: info@forcecontrol.com Web: www.forcecontrol.com