



Posistop Specifications (Model 03-20)

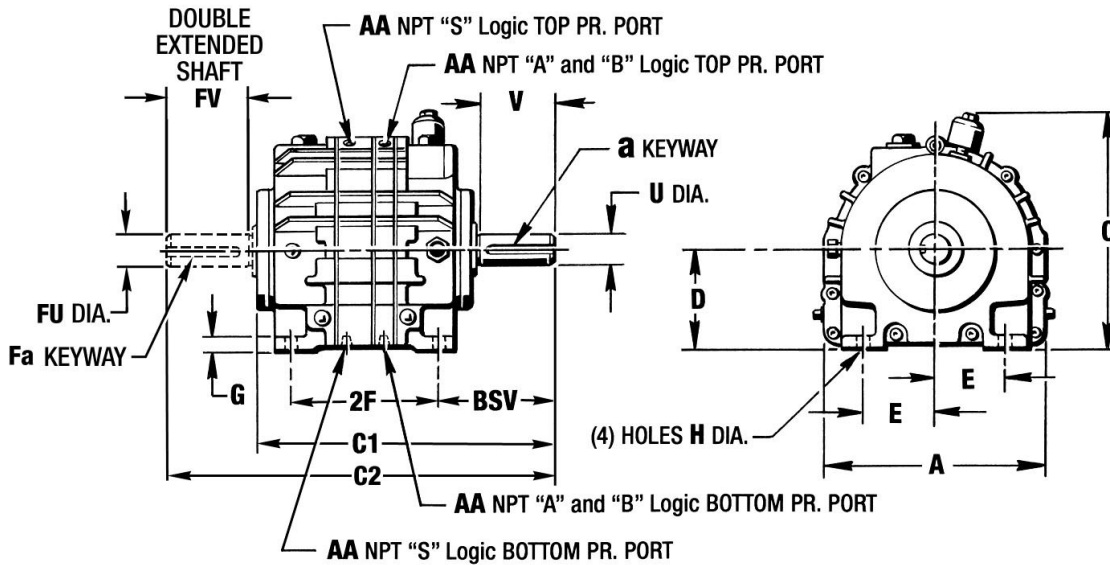
Size	Logic	Brake Torque (Lb. Ft.)				Max Air Pressure	Max RPM	Thermal Ratings		Air Volume per Engagement (Cu. In.)	Inertia Cyclic Parts (Lb. Ft.^2)	Weight Single Stack (Lbs.)	Weight Tandem Stack (Lbs.)
		Spring Set		With Air Assist				HP Sec/Min	Thermal HP				
		Static	Dynamic	Static	Dynamic								
03	S	---	---	127	108	60 PSI	3600	45	0.75	7.60	0.10	125	132
	A	50	42	---	---								
	B	100	85	---	---								
05	S	---	---	290	245	60 PSI	3600	60	1.00	7.60	0.14	174	183
	A	95	80	---	---								
	B	189	160	---	---								
10	S	---	---	700	592	60 PSI	3600	75	1.25	12.00	0.44	305	320
	A	233	197	---	---								
	B	466	394	---	---								
11	S	---	---	1095	927	80 PSI	3000	90	1.50	15.00	0.48	349	367
	A	222	188	---	---								
	B	444	375	---	---								
14	S	---	---	1723	1458	80 PSI	3000	CF	CF	15.00	0.53	CF	CF
	A	387	327	---	---								
	B	696	589	---	---								
20	S	---	---	2076	1245	80 PSI	3000	120	2.00	23.00	2.80	768	808
	A	397	336	---	---								
	B	1338	1151	---	---								

Tandem or Double Stack units are available. The ratings are 2 times the single stack.

CF=Consult Factory



Posistop Foot Mounted Dimensions (Model 03-20)



Size	Foot Mounting Dimensions (Ins.)									Overall Length				Shaft Diameter (Ins.)			Port (NPT)-AA	
	A	D	E	2Fs	2Ft	G	H	O	BSV	Single Shaft		Double		a/Fa	U/FU	V/FV	bot	top
										C1s	C1t	C2s	C2t					
03	10.25	4.50	3.31	6.50	9.13	0.50	0.44	10.38	5.19	13.25	15.88	16.88	19.51	5/16 x 5/32	1 3/8	3.50	1/4	1/4
05	10.25	6.50	3.50	9.09	12.02	0.75	0.56	12.38	5.75	16.50	19.42	20.59	23.52	3/8 x 3/16	1 5/8	4.00	1/4	1/4
10	12.50	6.50	3.50	12.69	16.56	1.00	0.75	13.63	5.50	19.75	23.62	23.69	27.56	3/8 x 3/16	1 3/4	3.75	1/4	1/4
11	12.62	6.50	4.75	12.69	16.56	1.00	0.75	14.50	6.75	21.00	24.88	26.19	30.06	5/8 x 5/16	2 3/8	5.00	1/4	1/4
14	14.00	6.50	4.75	13.04	17.50	1.00	0.75	15.21	6.75	21.38	25.85	26.54	31.00	5/8 x 5/16	2 3/8	4.43	1/4	1/4
20	17.50	9.00	5.75	16.78	21.50	1.38	0.88	19.00	7.38	26.75	31.50	31.54	36.26	5/8 x 5/16	2 3/4	4.75	3/8	1/2

* "S" denotes a Single Stack Unit

* "t" denotes a Tandem Stack Unit



Posistop Foot Mounted—How To Order

