

# APPLICATION BULLETIN

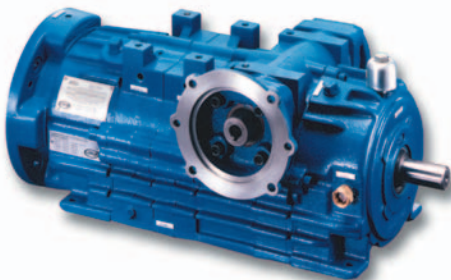
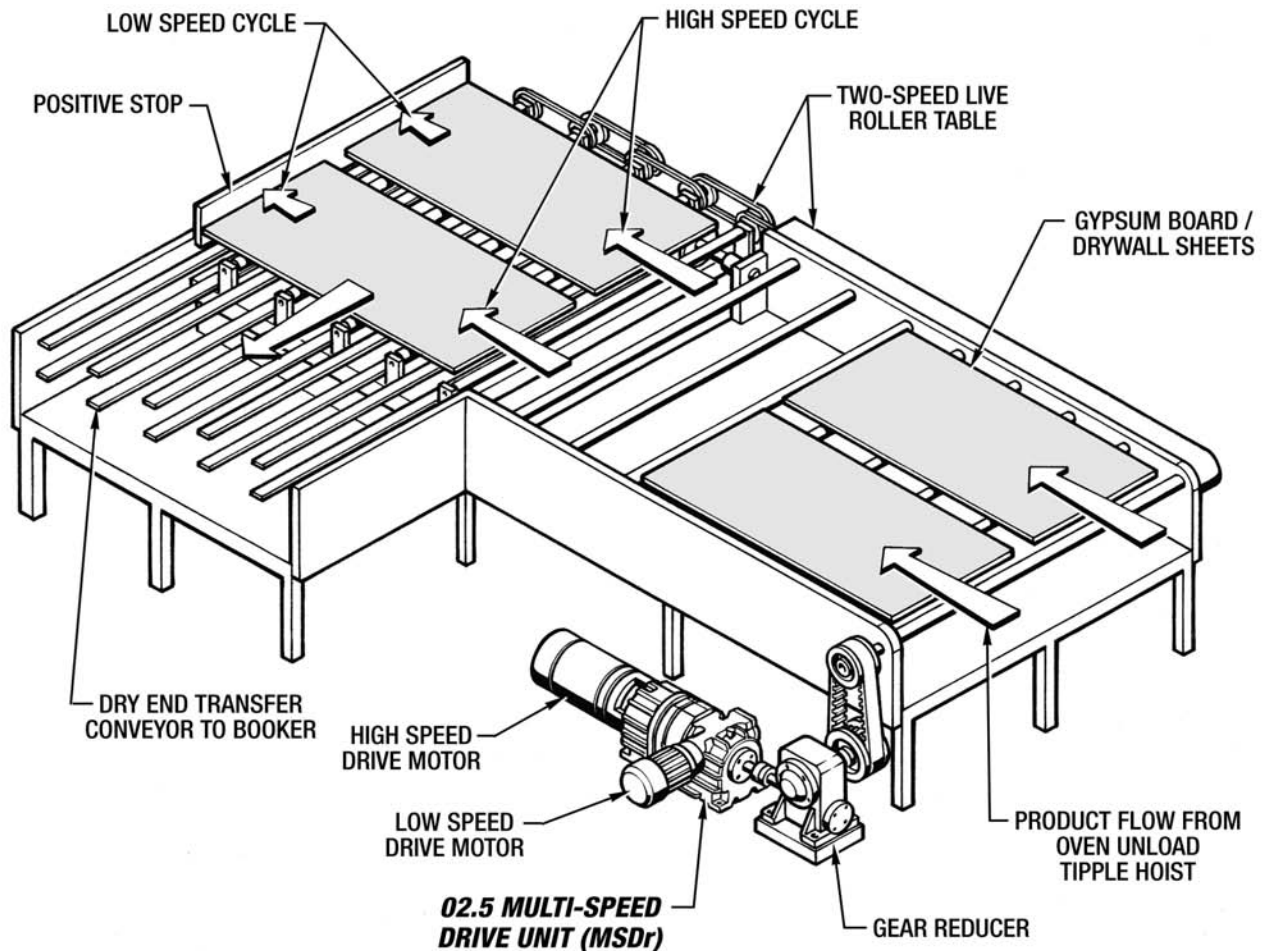


**APPLICATION:** Two Speed "Live" Roller Table

**INDUSTRY:** Gypsum Board/Drywall Plants

**PRODUCT:** 02.5 Multi-Speed Drive (MSDr)

## TWO SPEED "LIVE" ROLLER TABLE



### **FORCE CONTROL INDUSTRIES, INC.**

3660 Dixie Highway Fairfield, Ohio 45014

Phone: 513-868-0900 Fax: 513-868-2105

E-Mail: [info@forcecontrol.com](mailto:info@forcecontrol.com) Web: [www.forcecontrol.com](http://www.forcecontrol.com)