

Section 6 Foot Mounted Posistop Brake



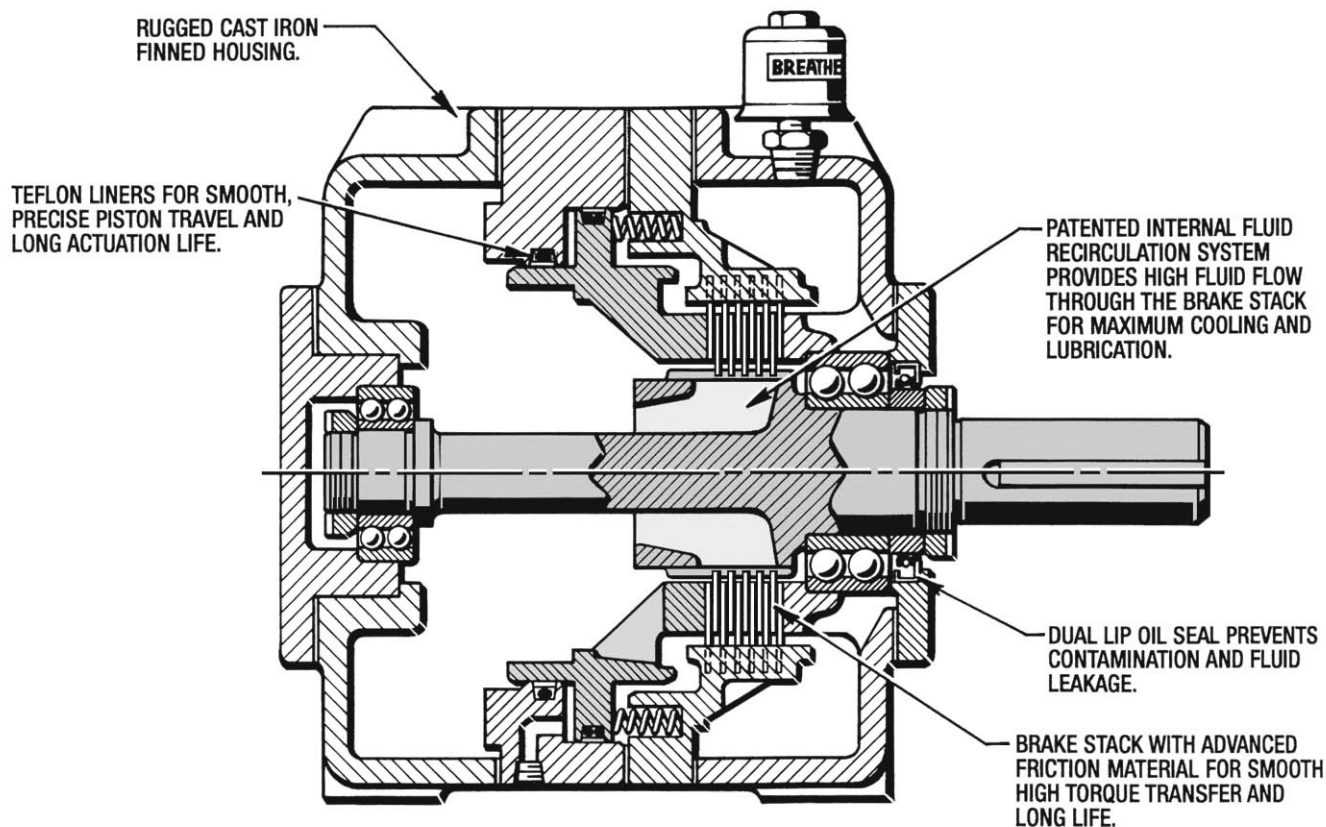
The **Foot Mounted Posistop Brake** is similar in design to the **Posidyne Clutch/Brake** incorporating many of the same features including multiple friction surfaces, lubrication and cooling by recirculating fluid. Six sizes are available with torque ratings up to 1800 Lb.Ft. There are three control logics to select from:

S = Air Set Brake / Spring Release

A = Medium Spring Set Brake / Air Release

B = Heavy Spring Set Brake / Air Release

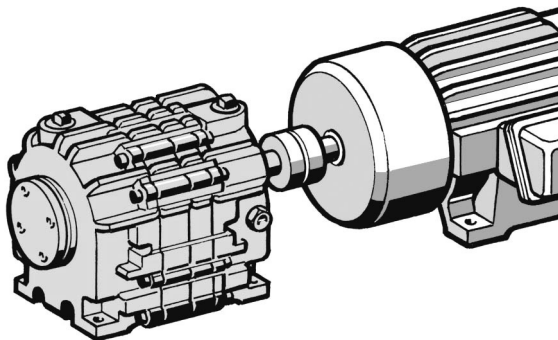
The spring set units are preset at the factory and are not adjustable. The air set units are adjustable over the full range.



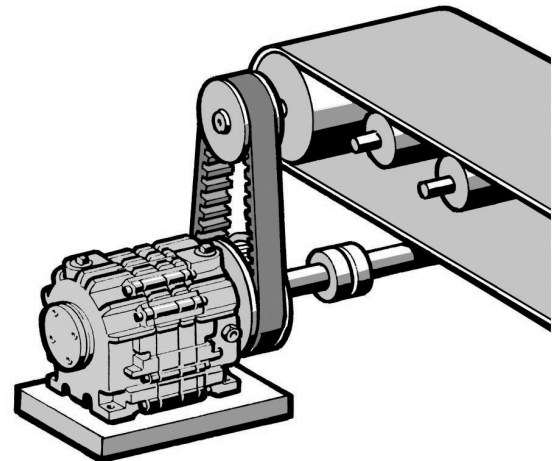
“FS” Model Shown. “FA” and “FB” Models have springs on opposite side of piston.

Typical Applications

MOTOR SHAFT BRAKE



MACHINE SHAFT BRAKE



6

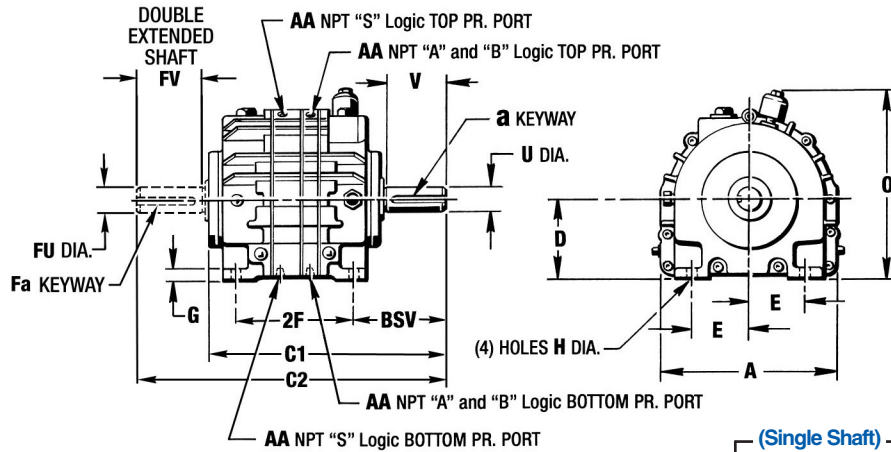
Foot Mounted Posistop Specifications

To select the proper **Foot Mounted Posistop Brake**, the desired control logic should first be determined. The static and dynamic torque ratings for that logic are then used for selection purposes.

Size	Logic	Brake Torque (<i>Lb.Ft.</i>)					Max. RPM Basic	Thermal Ratings		Air Volume per Engmt. (<i>Cu. In.</i>)	Inertia Cyclic Parts (<i>Lb.Ft.²</i>)	Weight (<i>Lbs.</i>)
		Spring Set		With Air Assist				HP Sec/Min	Thermal HP			
		Static	Dynamic	Static	Dynamic	Max Air Pr						
03	S	-----	-----	127	108	60 PSI	3600	45	.75	7.6	.10	125
	A	50	42	-----	-----	-----						
	B	100	85	-----	-----	-----						
05	S	-----	-----	290	245	60 PSI	3600	60	1.0	7.6	.14	174
	A	95	80	-----	-----	-----						
	B	189	160	-----	-----	-----						
10	S	-----	-----	700	592	60 PSI	3600	75	1.25	12	.44	305
	A	233	197	-----	-----	-----						
	B	466	394	-----	-----	-----						
11	S	-----	-----	1095	927	80 PSI	3000	90	1.5	15	.48	349
	A	222	188	-----	-----	-----						
	B	444	375	-----	-----	-----						
14	S	-----	-----	1723	1458	80 PSI	3000	CF	CF	15	.53	CF
	A	387	327	-----	-----	-----						
	B	696	589	-----	-----	-----						
20	S	---	---	2076	1245	80 PSI	2000	120	2.0	23	2.80	768
	A	397	336	-----	-----	-----						
	B	1338	1151	-----	-----	-----						

Tandem or double stack units are available. Ratings are twice the values given for above single stack units. Weights given are for a Single Stack Unit. See page 16.16 for Tandem Unit weights. CF - Consult Factory

Foot Mounted Posistop Dimensions (Inches)



Size	Overall Length (Double Ext. Shaft)	
	C2s*	C2t*
03	16.88	19.51
05	20.59	23.52
10	23.69	27.56
11	26.19	30.06
14	26.54	31.00
20	31.54	36.26

Size	Foot Mounting Dimensions									Overall Length		Shaft Dim.			Port (NPT)-AA	
	A	D	E	2Fs*	2Ft*	G	H	O	BSV	C1s*	C1t*	a/Fa	U/FU	V/FV	(Bot.)	(Top)
03	10.25	4.5	3.31	6.5	9.13	0.50	0.44	10.38	5.19	13.25	15.88	5/16 x 5/32	1-3/8	3.50	1/4	1/4
05	10.25	6.5	3.50	9.09	12.02	0.75	0.56	12.38	5.75	16.50	19.42	3/8 x 3/16	1-5/8	4.00	1/4	1/4
10	12.50	6.5	3.50	12.69	16.56	1.00	0.75	13.63	5.50	19.75	23.62	3/8 x 3/16	1-3/4	3.75	1/4	1/4
11	12.62	6.5	4.75	12.69	16.56	1.00	0.75	14.50	6.75	21.00	24.88	5/8 x 5/16	2-3/8	5.00	1/4	1/4
14	14.00	6.5	4.75	13.04	17.50	1.00	0.75	15.21	6.75	21.38	25.85	5/8 x 5/16	2-3/8	4.43	1/4	1/4
20	17.50	9.0	5.75	16.78	21.50	1.38	0.88	19.00	7.38	26.75	31.50	5/8 x 5/16	2-3/4	4.75	3/8	1/2

* "s" denotes a Single Unit and "t" denotes a Tandem Unit.

How to Order Your Foot Mounted Posistop

The Foot Mounted *Posistop* Ordering System has been developed to simplify the ordering process and to reduce any misunderstanding and costly errors. To correctly order a Foot Mounted *Posistop* it is necessary to determine the following information: **Logic, Size, Type, Mounting Position and Cooling Options and Control Valve.** Just use the **Ordering System Chart** below to develop the proper **Ordering Number.**

Ordering System Chart Example: FB-05-S-1-H-1 / _____

F	1	2	3	4	5	6	7	8
Logic (1)		Size (2) (3)		Type (4)		Mounting Position (6)		CONTROL VALVE
S = Air Set Brake/ Spring Release	03 = 03	S = Single		H = Horizontal				See Section 10 for Ordering Number. Use N if no valve is ordered.
A = Medium Spring Set Brake/ Air Release	05 = 05	T = Tandem		D = Vertical Shaft Down				
B = Heavy Spring Set Brake/ Air Release	10 = 10			U = Vertical Shaft Up				Cooling (7)
	11 = 11			L = Wall on left viewing shaft.				1 = Basic (Radiant)
	14 = 14			R = Wall on right viewing shaft.				5 = Fan Cooled
	20 = 20							
				Shaft Options (5)				
				1 = Single Shaft				
				2 = Double Ext. Shaft				